

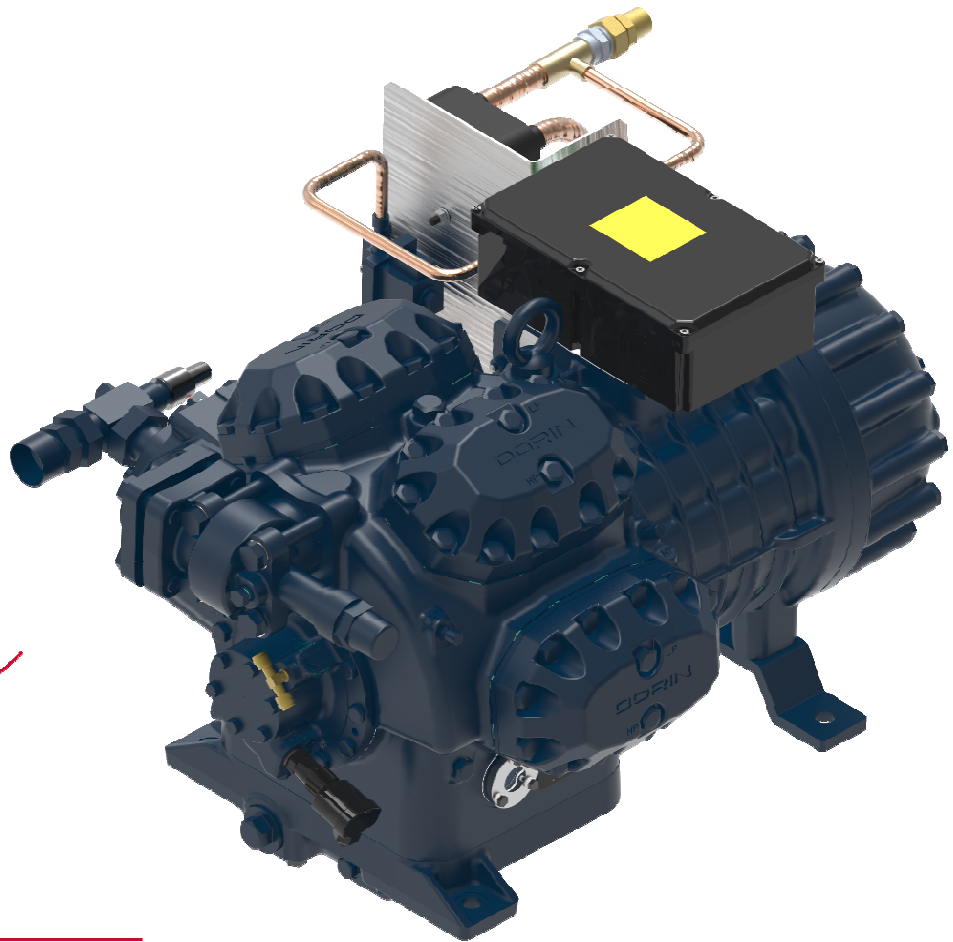


OFFICINE MARIO DORIN SINCE 1918

**DORIN**<sup>®</sup>  
INNOVATION

**RICAMBI**  
SPARE PARTS

**2S-H7**

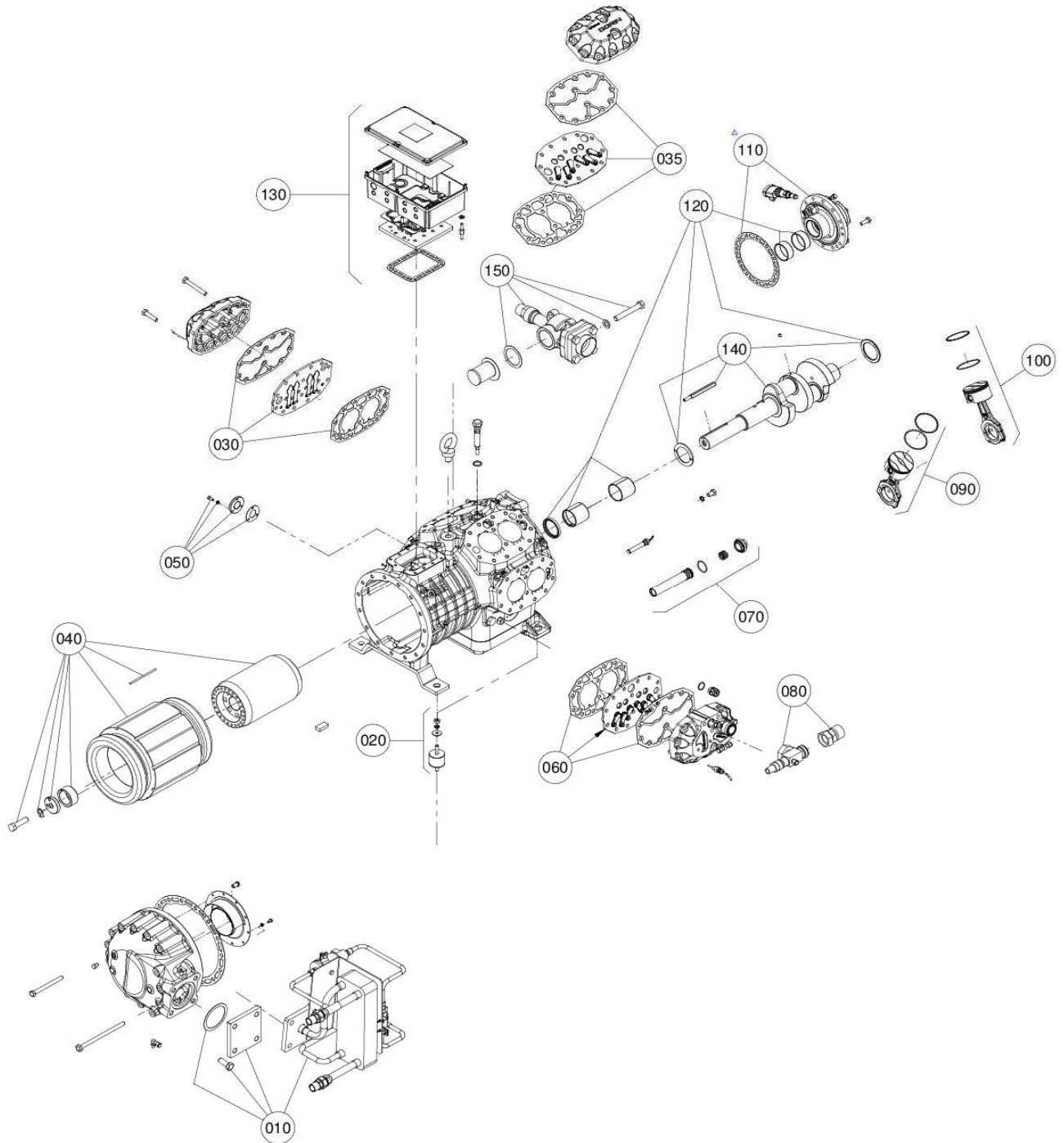


**SEMI-HERMETIC MOTOR COMPRESSORS**  
**MOTOCOMPRESSORI SEMIHERMETICI**



OFFICINE MARIO DORIN SINCE 1918  
**DORIN**  
INNOVATION

**M/COMPRESSORE - M/COMPRESSOR**  
**2S-H7**  
**ESPLOSO COMMERCIALE - COMMERCIAL EXPLODED VIEW**





OFFICINE MARIO DORIN SINCE 1918  
**DORIN**  
INNOVATION

M/COMPRESSORE - M/COMPRESSOR  
**2S-H7**  
Doppio stadio - Two Stage



RIF.	QUANTITA' - QUANTITY					CODICE CODE	DESCRIZIONE	DESCRIPTION
	2S-H5000	2S-H5000L	2S-H6000	2S-H5500L	2S-H6500			
010	1	1	-	1	-	1LC2013	Kit sottoraffredatore	Subcooling kit
010	-	-	1	-	1	1LC2012	Kit sottoraffredatore	Subcooling kit
020	1	1	1	1	1	1CC5022	Kit sospensioni compl.	Vibration damper kit complete
030	2	-	-	-	-	1PKP093	Piastra valvole - 1°Stadio	Complete valve plate - 1st phase
030	-	2	2	2	2	1PKP094	Piastra valvole - 1°Stadio	Complete valve plate - 1st phase
035	1	-	-	-	-	1PKP097	Piastra valvole - 1°Stadio	Complete valve plate - 1st phase
035	-	1	1	1	1	1PKP096	Piastra valvole - 1°Stadio	Complete valve plate - 1st phase
040	1	1	-	1	-	1RKM067	Rotostatore 50HP 400/50 PWS	Stator - rotor 50HP 400/50 PWS
040	-	-	1	-	1	1RKM068	Rotostatore 60HP 400/50 PWS	Stator - rotor 60HP 400/50 PWS
040	1	1	-	1	-	1RKM061	Rotostatore 60HP 400/60 PWS	Stator - rotor 60HP 400/60 PWS
040	-	-	1	-	1	1RKM062	Rotostatore 72HP 400/60 PWS	Stator - rotor 72HP 400/60 PWS
050	2	2	2	2	2	1CCQ010	Spia olio completa	oil sight glass
060	1	1	1	1	1	1PKP095	Piastra valvole - 2°Stadio	Complete valve plate - 2nd phase
070	1	1	1	1	1	1LCU031	Filtro olio	Complete oil strainer
080	1	1	1	1	1	1RKC065	Rubinetto di mandata D.42	Discharge service valve D.42
090	6	-	-	-	-	1MCDC44 *	Kit biella - pistone- 1°Stadio	Conn. Rod - piston compl.-1st phase
090	-	6	6	-	-	1MCDC46 *	Kit biella - pistone- 1°Stadio	Conn. Rod - piston compl.-1st phase
090	-	-	-	6	6	1MCDC47 *	Kit biella - pistone- 1°Stadio	Conn. Rod - piston compl.-1st phase
100	2	2	2	2	2	1MCDC47 *	Kit biella - pistone- 2°Stadio	Conn. Rod - piston compl.-2nd phase
090	6	-	-	-	-	1MKM401 **	Kit biella - pistone- 1°Stadio	Conn. Rod - piston compl.-1st phase
090	-	6	6	-	-	1MKM403 **	Kit biella - pistone- 1°Stadio	Conn. Rod - piston compl.-1st phase
090	-	-	-	6	6	1MKM404 **	Kit biella - pistone- 1°Stadio	Conn. Rod - piston compl.-1st phase
100	2	2	2	2	2	1MKM404 **	Kit biella - pistone- 2°Stadio	Conn. Rod - piston compl.-2nd phase
110	1	1	1	1	1	1LKF031	Mozzo + pompa olio	Hub + oil pump
120	1	1	1	1	1	1CKJ036	Kit bronzine + rasamento	Bushing + trust kit
130	1	1	1	1	1	1RKJ043	Scatola att.elettrici + piastra	Electrical plate and box
140	1	1	1	1	1	1MKA068	Albero completo c.65-65	Complete shaft c.65-65
150	1	1	1	1	1	1RKC084	Rubinetto aspirazione D.66	Suction service valve D.66

\* PER COMPRESSORI PRODOTTI FINO AL 28/02/2021 - VALID FOR COMPRESSORS PRODUCED UNTIL 28/02/2021

\*\* PER COMPRESSORI PRODOTTI DAL 1/03/2021 - VALID FOR COMPRESSORS PRODUCED FROM 1/03/2021

**ACCESSORI - ACCESSORIES**

	1	-	-	-	-	1CCM565	Serie completa guarnizioni D.72-83	Complete gasket set D.72-83
	-	1	1	-	-	1CCM566	Serie completa guarnizioni D.79-83	Complete gasket set D.79-83
	-	-	-	1	1	1CCM567	Serie completa guarnizioni D.83-83	Complete gasket set D.83-83
	1	1	1	1	1	2EG1090	Resistenza carter 220V	Crankcase heater 220V
	1	1	1	1	1	2EG1520	Resistenza carter 110V	Crankcase heater 110V
	1	1	1	1	1	2EG1080	Resistenza carter 24V	Crankcase heater 24V
	1	1	1	1	1	2CC7070	Modulo per termistori	Thermistors module
	1	1	1	1	1	2CG9030	Press. diff.olio elettronico	Oil differential press. switch
	1	1	1	1	1	2CG1070	Sensore temp. di scarico	Discharge temp. probe



OFFICINE MARIO DORIN SINCE 1918

**DORIN**<sup>®</sup>  
INNOVATION

OFFICINE MARIO DORIN S.p.A.  
Via Aretina 388, 50061 Compiobbi - Florence, Italy  
Tel. +39 055 62321 1 - Fax +39 055 62321 380

[dorin@dorin.com](mailto:dorin@dorin.com)  
[www.dorin.com](http://www.dorin.com)