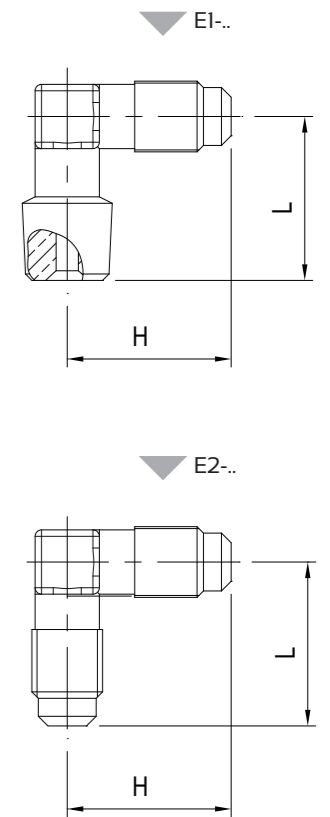


Type	Type of connection	SAE Flare	Copper pipe		PS [bar]	Dimensions [mm]			Tightening torque min ÷ max [Nm]	Weight [g]	Pieces per box
			Ø [in]	Ø [mm]		ØD	L	CH			
FN2-C	SAE Flare for inch and metric tubing	1/4"	-	-	140	-	15	17	11 ÷ 14	20	100
FN2-2		1/4"	1/4"	6		6,5	15	17	11 ÷ 14	18	100
FN3-2		3/8"	1/4"	6		6,5	19	22	11 ÷ 14	36	25
FN3-3		3/8"	3/8"	-		9,7	19	22	20 ÷ 25	35	25
FN3-M8		3/8"	-	8		8,3	19	22	20 ÷ 25	36	25
FN3-M10		3/8"	-	10		10,3	19	22	20 ÷ 25	35	25
FN4-3		1/2"	3/8"	-		9,7	22	25	20 ÷ 25	53	25
FN4-4		1/2"	1/2"	-		13	22	25	34 ÷ 47	48	25
FN4-M10		1/2"	-	10		10,3	22	25	34 ÷ 47	52	25
FN4-M12		1/2"	-	12		12,3	22	25	34 ÷ 47	50	25
FN5-4		5/8"	1/2"	-		13	24,5	28	34 ÷ 47	69	20
FN5-5		5/8"	5/8"	16		16,3	24,5	28	54 ÷ 75	65	20
FN5-M12		5/8"	-	12		12,3	24,5	28	54 ÷ 75	70	20
FN6-6		3/4"	3/4"	-		19,4	29	33	68 ÷ 71	97	20
FN6-M18		3/4"	-	18		18,3	29	33	68 ÷ 71	98	25
FN7-7		7/8"	7/8"	22		22,5	31,8	41	90 ÷ 120	165	20
US4-4		SAE Flare twin nuts	1/4"	-		-	6,3	31	17	11 ÷ 14	39
US4-6	3/8"		-	-	10	39	22	20 ÷ 25	70	50	
US4-8	1/2"		-	-	12	42	25	34 ÷ 47	80	50	

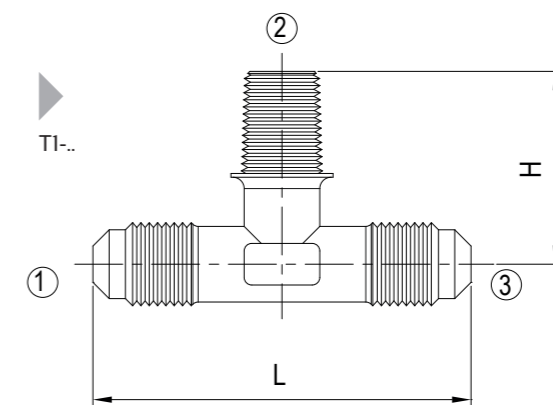
Type	Connections		NPT Connection Wrench torque [Nm]	PS [bar]	Dimensions [mm]		Weight [g]	Pieces per box
	SAE Flare	NPT			H	L		
E1-4A	1/4"	1/8"	10 ÷ 13	140	24,5	25,5	30	100
E1-4B	1/4"	1/4"	15 ÷ 20		26	24,5	35	100
E1-6C	3/8"	3/8"	17 ÷ 22		32	30,5	61	100
E1-6B	3/8"	1/4"	15 ÷ 20		31,5	29,5	58	100
E2-4	1/4"	-	-		25	25	26	100
E2-6	3/8"	-	-		31	31	56	100



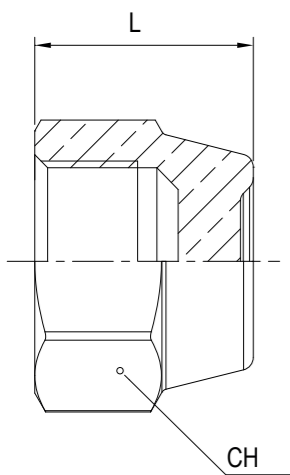
RACCORDI A TEE
SAE FLARE/NPT

SAE FLARE/NPT
TEE FITTINGS

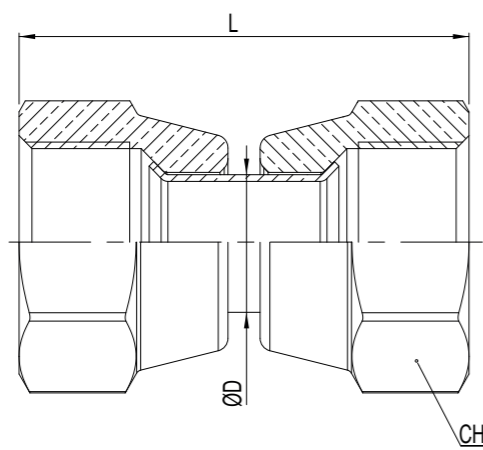
Type	(1)	(2)		(3)		PS [bar]	Dimensions [mm]		Weight [g]	Pieces per box
	SAE Flare	SAE Flare	NPT	SAE Flare	NPT		L	H		
T1-4A	1/4"	-	1/8"	1/4"	-	140	52	25	40	100
T1-4B	1/4"	-	1/4"	1/4"	-		52,5	25	44	100
T1-221	1/4"	1/4"	-	-	1/8"		51	27	40	100



▼ FN2-C



▼ US4..



▼ FN..

