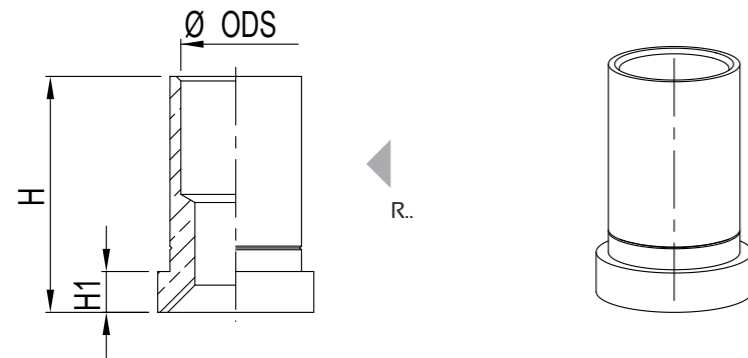
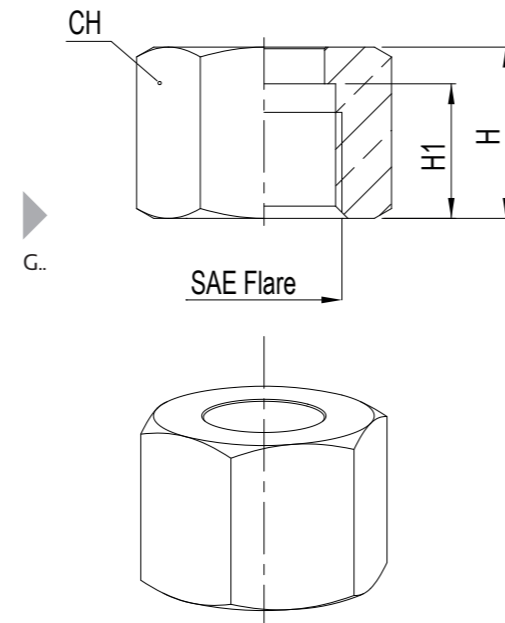


ADATTATORI SAE FLARE/ODS

SAE FLARE/ODS ADAPTERS

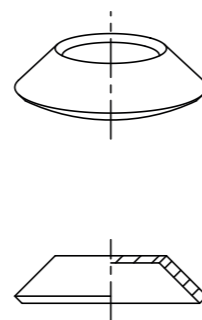
Type	Connections			PS [bar]	Dimensions			NPT Connection Wrench torque [Nm]	Weight [g]	Pieces per box
	SAE Flare	ODS			H	H1	CH			
		Ø [in]	Ø [mm]							
G2	1/4"	1/4"	-	140	16	12,5	17	11 ÷ 14	25	100
R2	1/4"	1/4"	-		21	3,5	-	-	5	100
RM6	1/4"	-	6		21	3,5	-	-	5	100
G3	3/8"	3/8"	-		18,5	14,7	22	20 ÷ 25	40	100
R3	3/8"	3/8"	-		23,5	4	-	-	10	100
RM10	3/8"	-	10		23,5	4	-	-	10	100
G4	1/2"	1/2"	-		21	17	27	35 ÷ 45	70	50
R4	1/2"	1/2"	-		23,5	4	-	-	15	50
RM12	1/2"	-	12		23,5	4	-	-	15	50
G5	5/8"	5/8"	-		22,5	18	30	55 ÷ 75	85	50
R5	5/8"	5/8"	-		27,5	5	-	-	20	50
G6	3/4"	3/4"	-		25	20	36	70 ÷ 75	130	50
R6	3/4"	3/4"	-		30	5	-	-	40	50
RM18	3/4"	-	18		30	5	-	-	35	50
G7	7/8"	7/8"	-		30	25	41	90 ÷ 110	188	25
R7	7/8"	7/8"	-		37	9	-	-	50	25



GUARNIZIONI

Type	SAE Flare	PS [bar]	Weight [g]	Pieces per box
000090	1/4"	140	0,5	100
000091	3/8"		0,5	100
000092	1/2"		1	100
000093	5/8"		1,2	100
000094	3/4"		1,3	100
000095	7/8"		2	100

COPPER GASKETS



ATTACCHI DI CARICA

ACCESS FITTINGS

Type	Figure	Connections									PS [bar]	Dimensions [mm]		Weight [g]	Pieces per box	
		SAE Flare	NPT	Ø ODS		Ø IDS (1)		Ø IDS (2)		Ø IDS (3)		L	CH			
				[in]	[mm]	[in]	[mm]	[in]	[mm]	[in]						[mm]
FA2-M6	A	1/4"	-	-	6	-	-	-	-	-	-	140	26	11	10	100
FA2-1/4		1/4"	-	-	1/4"	-	-	-	-	-	-		26	11	10	100
FA2-M6-8-10		1/4"	-	-	6	-	-	8	-	10	-		30	11	10	100
FA2-04		1/4"	-	-	-	6	-	-	-	-	-		26	11	10	100
FA2-05		5/16"	-	-	-	7	3/8"	-	-	-	-		27	14	20	100
FA2-07		5/16"	-	-	-	6	3/8"	-	-	-	-		27	14	20	100
FA2-M5-1/4-3/8		1/4"	-	-	5	1/4"	-	-	8	3/8"	-		26	11	10	100
FA2-2M6L50		B	1/4"	-	-	-	-	-	-	-	-		50	11	15	100
FA2-2M6L90			1/4"	-	-	-	-	-	-	-	-		90	11	20	100
FA2-2M6L10			1/4"	-	-	-	6	-	-	-	-		100	11	25	100
FA2-2M6L65	1/4"		-	-	-	-	-	-	-	-	65	11	18	100		
FA2-2M6L13	1/4"		-	-	-	-	-	-	-	-	130	11	30	100		
FA2-2	C	1/4"	-	-	-	-	-	-	-	-	31	11	15	100		
FA2-1/8NPT		1/4"	1/8"	-	-	-	-	-	-	-	28	11	10	100		
FA2-2NPT		1/4"	1/4"	-	-	-	-	-	-	-	33	14	25	100		

